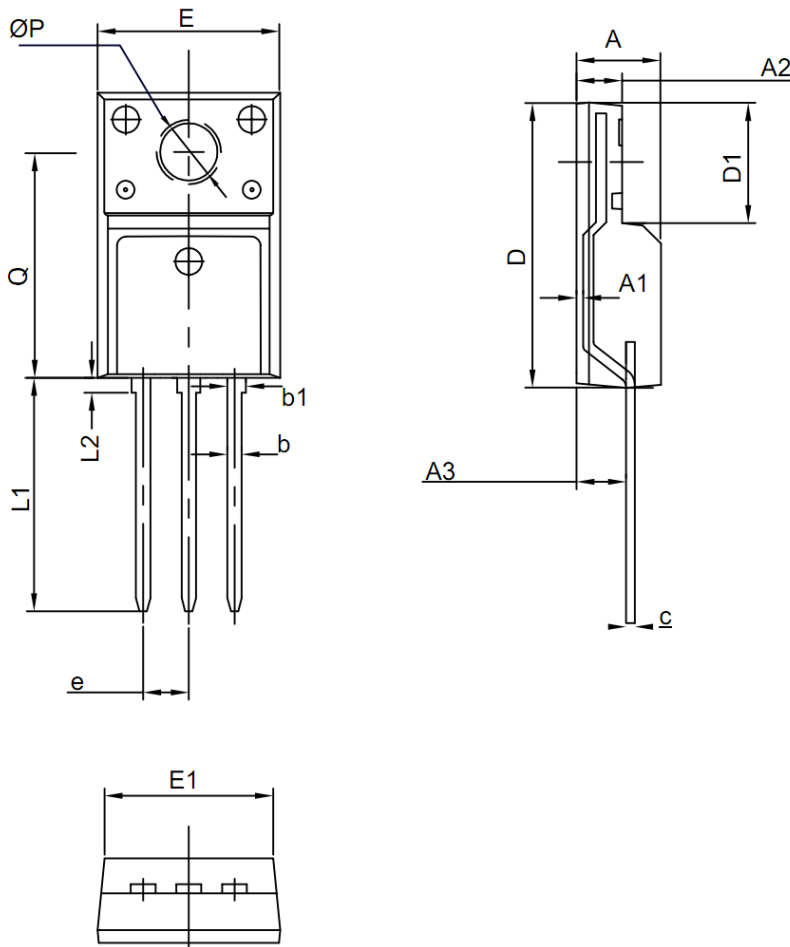


TO-220SF Package Outline Data



Symbol	Dimensions (unit: mm)		
	Min	Typ	Max
A	4.50	4.70	4.90
A1	--	0.43	--
A2	2.34	2.54	2.74
A3	2.66	2.76	2.86
b	0.59	0.69	0.79
b1	1.04	1.14	1.24
c	0.45	0.50	0.60
D	15.57	15.87	16.17
D1	6.50	6.70	6.90
e	2.44	2.54	2.64
E	9.96	10.16	10.36
E1	9.20	9.40	9.60
L1	12.70	13.00	13.30
L2	--	--	0.95
Q	12.27	12.57	12.87
ØP	3.03	3.18	3.33

Note:

1. Dimensions do NOT include mold flash, protrusions or gate burrs.